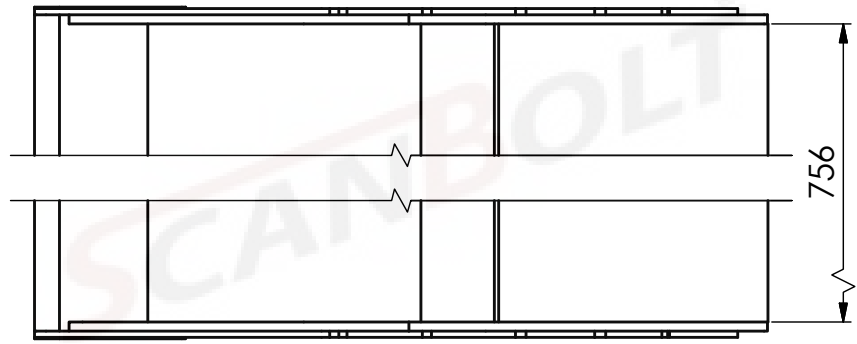
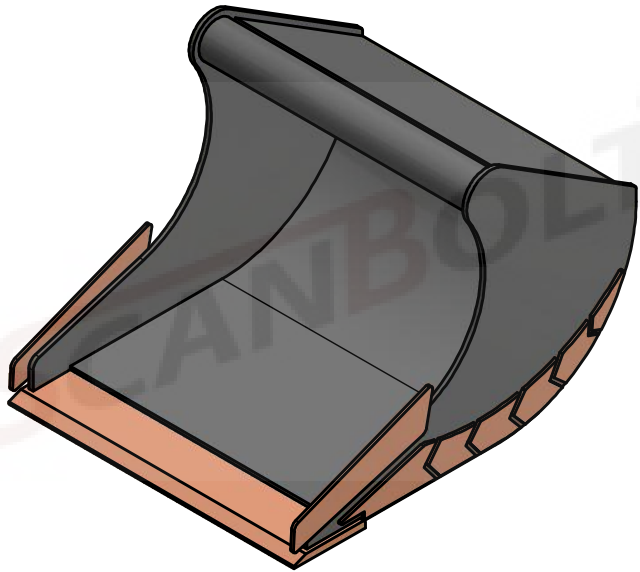


8 7 6 5 4 3 2 1

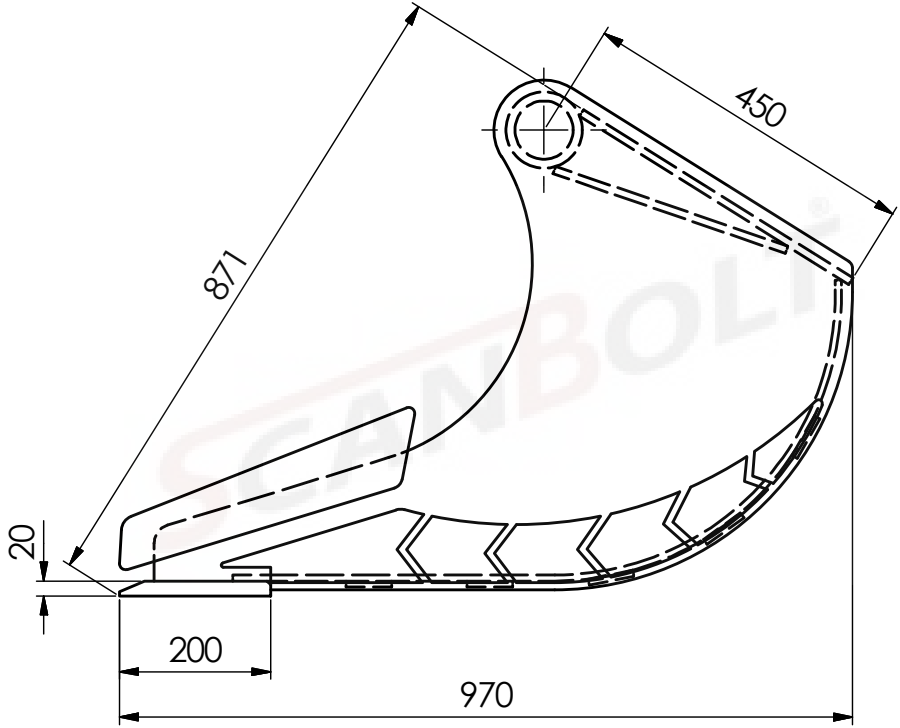
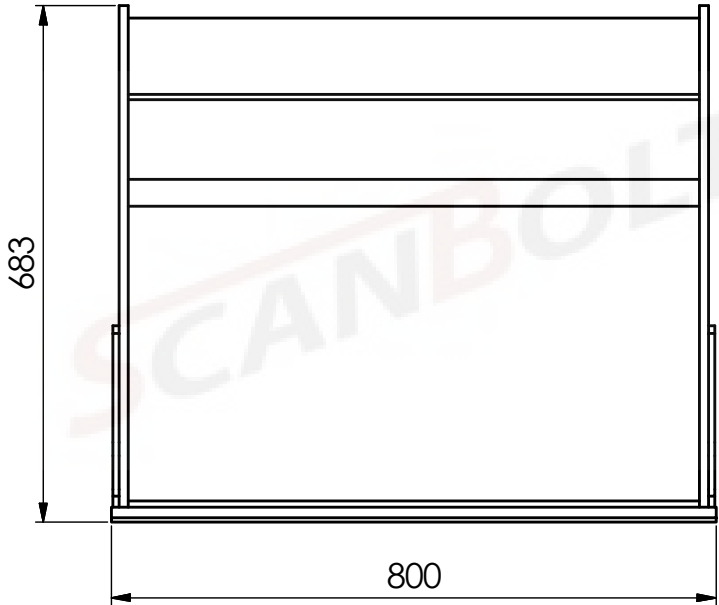
D

D



C

C








B

B

A

A

MATERIAL SPECIFICATION	
	ST52.3
	EN8D
	HB 400
	HB 450
	CASTALLOY STEEL

<b>SCANBOLT®</b>	
DESCRIPTION	80CM DIGGING BUCKET
MACHINE CLASS	7.5-10 TON
WEIGHT	225 Kg
HEAPED CAPACITY	328.8 LITERS

8 7 6 5 4 3 2 1